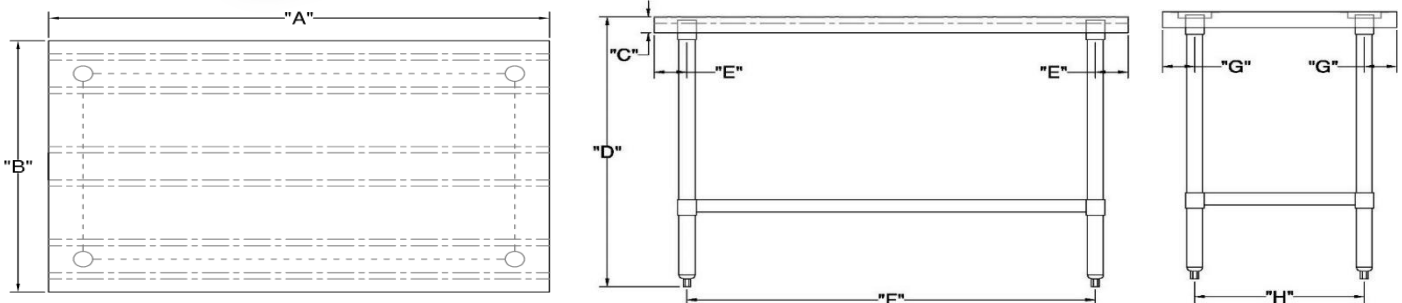


### 18 Gauge Stainless Steel Worktable with Splash Guard



- Made of 18-gauge, 304 stainless steel
- 18-gauge, type 430 stainless steel undershelf adds stability and some much-needed storage space
- 1" Adjustable stainless steel bullet feet for added stability



ITEM	TABLE LENGTH (A)	TABLE DEPTH (B)	TABLETOP THICKNESS (C)	OVERALL HEIGHT (D)	FRONT/BACK OVERHANG (E)	SIDE OVERHANG (G)	LENGTH F TO B (H)	LENGTH R TO L (F)
SWWTS-3012-2R-318	12"	30"	2"	34"	3"5/16'	1"5/8'	8"	22"1/8'
SWWTS-3018-2R-318	18"	30"	2"	34"	3"5/16'	1"5/8'	11"3/8'	22"1/8'
SWWTS-3024-2R-318	24"	30"	2"	34"	3"5/16'	1"5/8'	17"3/8'	22"1/8'
SWWTS-3030-2R-318	30"	30"	2"	34"	3"5/16'	1"5/8'	23"3/8'	22"1/8'
SWWTS-3036-2R-318	36"	30"	2"	34"	3"5/16'	1"5/8'	29"3/8'	22"1/8'
SWWTS-3048-2R-318	48"	30"	2"	34"	3"5/16'	1"5/8'	41"3/8'	22"1/8'
SWWTS-3060-2R-318	60"	30"	2"	34"	3"5/16'	1"5/8'	53"3/8'	22"1/8'
SWWTS-3072-2R-318	72"	30"	2"	34"	3"5/16'	1"5/8'	65"3/8'	22"1/8'