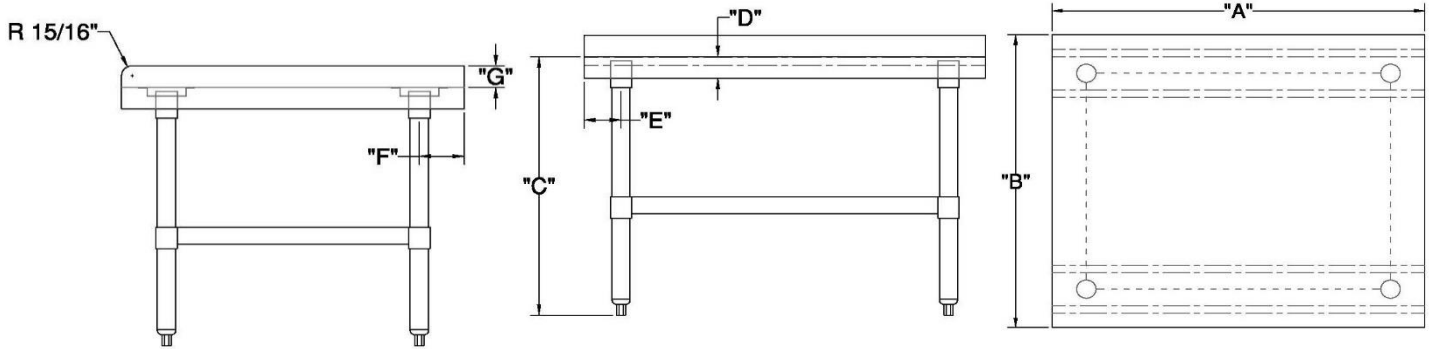


16 Gauge Stainless Steel Equipment Stands



- Made of 16-gauge, 304 stainless steel
- 18-gauge, type 430 stainless steel undershelf adds stability and some much-needed storage space
- 1" Adjustable stainless steel bullet feet for added stability



ITEM	TABLE LENGTH (A)	TABLE DEPTH (B)	TABLE HEIGHT (C)	TABLETOP THICKNESS (D)	FRONT/BACK OVERHANG (E)	RIGHT/LEFT OVERHANG (F)	BACK SPLASH HEIGHT (G)
SWESS-3012-316	12"	30"	24"	2"	2"	3 15/16"	2"
SWESS-3015-316	15"	30"	24"	2"	2"	3 15/16"	2"
SWESS-3018-316	18"	30"	24"	2"	2"	3 15/16"	2"
SWESS-3024-316	24"	30"	24"	2"	2"	3 15/16"	2"
SWESS-3030-316	30"	30"	24"	2"	2"	3 15/16"	2"
SWESS-3036-316	36"	30"	24"	2"	2"	3 15/16"	2"
SWESS-3048-316	48"	30"	24"	2"	2"	3 15/16"	2"
SWESS-3060-316	60"	30"	24"	2"	2"	3 15/16"	2"
SWESS-3072-316	72"	30"	24"	2"	2"	3 15/16"	2"