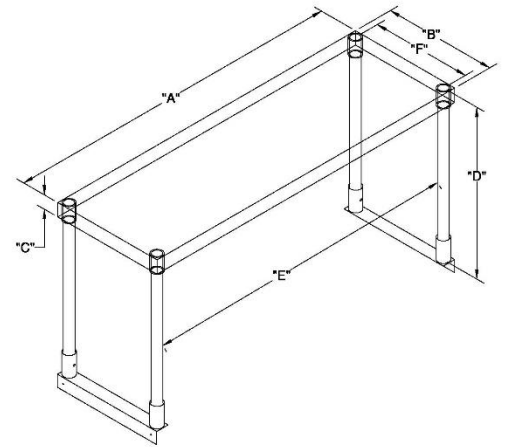


### 18 Gauge Stainless Steel Single Over Shelf

- Made of 18-Gauge, 430 Stainless Steel
- Easily Attaches to Most Worktables
- Adds Valuable Storage Space to Your Kitchen



ITEM	LENGTH (A)	DEPTH (B)	HEIGHT (D)	USABLE SPACE (E)	USABLE SPACE (F)	SHELF CAPACITY
SWSOS-1236	36"	12"	18"	36"	9.5"	350 LB.
SWSOS -1248	48"	12"	18"	48"	9.5"	380 LB.
SWSOS -1260	60"	12"	18"	60"	9.5"	400 LB.
SWSOS -1272	72"	12"	18"	72"	9.5"	420 LB.
SWSOS -1636	36"	16"	18"	36"	13.5"	360 LB.
SWSOS -1648	48"	16"	18"	48"	13.5"	390 LB.
SWSOS -1660	60"	16"	18"	60"	13.5"	410 LB.
SWSOS -1672	72"	16"	18"	72"	13.5"	430 LB.