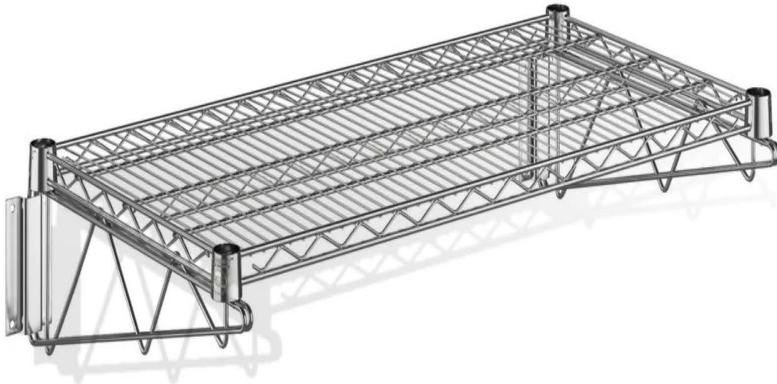
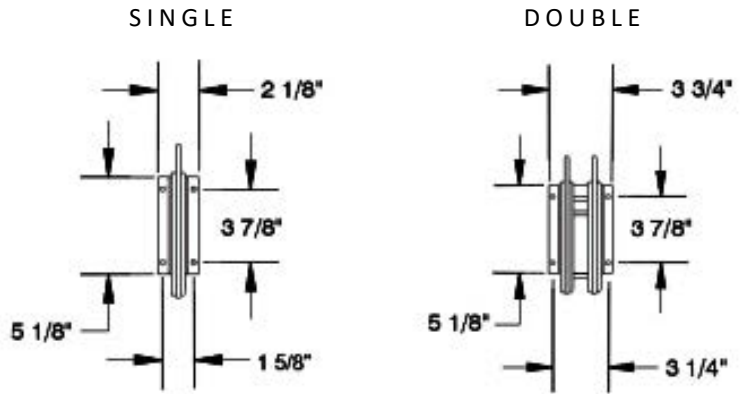
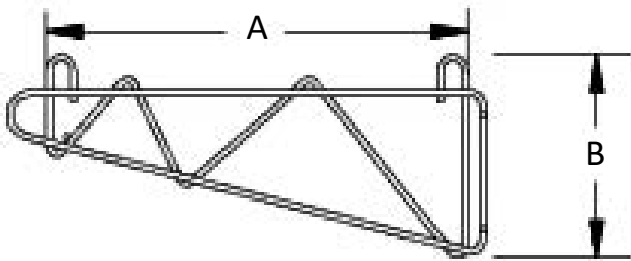


### Heavy Duty Wire Shelving



- Commercial-Grade Construction  
Great for Back-of-House or Office Storage Applications
- Double Wall Brackets allow Multiple Shelves to be Mounted Seamlessly



### Heavy Duty Single Wall Bracket

CHROME BRACKETS	LENGTH (A)	WIDTH	HEIGHT (B)	GREEN EPOXY BRACKETS	LENGTH (A)	WIDTH	HEIGHT (B)
SWWB-14C	14"	2.125"	8"	SWWB-14G	14"	2.125"	8"
SWWB-18C	18"	2.125"	8"	SWWB-18G	18"	2.125"	8"
SWWB-21C	21"	2.125"	8"	SWWB-21G	21"	2.125"	8"
SWWB-24C	24"	2.125"	8"	SWWB-24G	24"	2.125"	8"



### Heavy Duty Double Wall Bracket

CHROME BRACKETS	LENGTH (A)	WIDTH	HEIGHT (B)	GREEN EPOXY BRACKETS	LENGTH (A)	WIDTH	HEIGHT (B)
SWDWB-14C	14"	3.75"	8"	SWDWB-14G	14"	3.75"	8"
SWDWB-18C	18"	3.75"	8"	SWDWB-18G	18"	3.75"	8"
SWDWB-24C	24"	3.75"	8"	SWDWB-24G	24"	3.75"	8"

